

Quick Start Guide
Pika-aloitusopas
Hurtigstartguide
Hurtigstartveiledning
Snabbstartsguide
Sparčiosios paleisties vadovas
Ísa pamācība
Kiirtutvustus
Schnellanleitung
Stručná úvodní příručka
Skrócona instrukcja obsługi
РЪководство за бърз старт
Ghid de pornire rapidă
Οδηγός γρήγορης έναρξης



H352-381

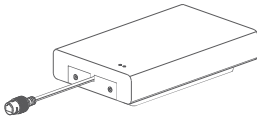
150304-1011

Contents

| | |
|-------------------------------------|-----|
| Quick Start Guide..... | 1 |
| Pika-aloitusopas..... | 28 |
| Hurtigstartguide..... | 55 |
| Hurtigstartveiledning..... | 83 |
| Snabbstartsguide..... | 111 |
| Sparčiosios paleisties vadovas..... | 139 |
| Īsa pamācība..... | 167 |
| Kiirtutvustus..... | 195 |
| Schnellanleitung..... | 223 |
| Stručná úvodní příručka..... | 251 |
| Skrócona instrukcja obsługi..... | 279 |
| Ръководство за бърз старт..... | 308 |
| Ghid de pornire rapidă..... | 336 |
| Οδηγός γρήγορης έναρξης..... | 364 |

Quick Start Guide

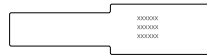
Package Contents



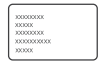
CPE



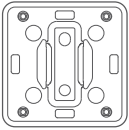
A 1.5 meter network cable



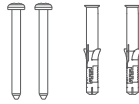
An information label



An SSID label



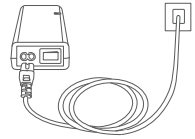
A base



Screws and expansion bolts



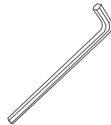
A pole-binding cable tie



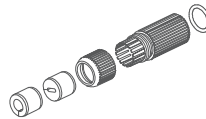
A power adapter



A hex key (φ2.5)



A hex key (φ5.0)

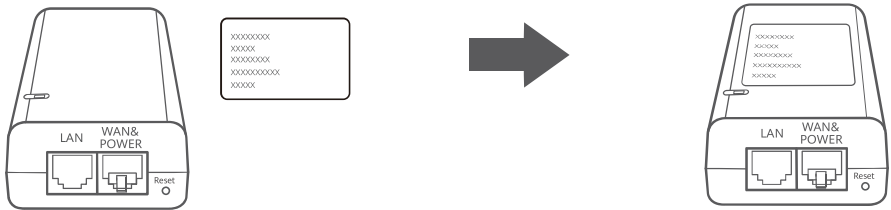


An outdoor waterproof network cable kit (including round and flat waterproof rubber plugs)



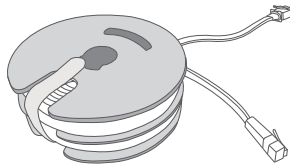
A cable clamp

i It is recommended that you attach the SSID label to the power adapter, so that you can easily view the default password and IP address when you need to.



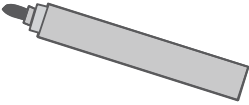
Optional Accessories

If a 10-meter flat network cable is included in your package, use it with the standard flat waterproof rubber plugs for outdoor installation, to ensure an optimal waterproof performance.



A 10-meter flat network cable

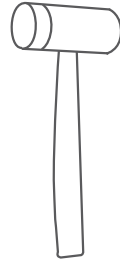
The following tools and auxiliary materials are required for installation:



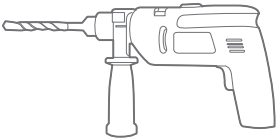
A pen



A spirit level



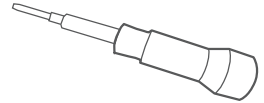
A hammer



A hammer drill



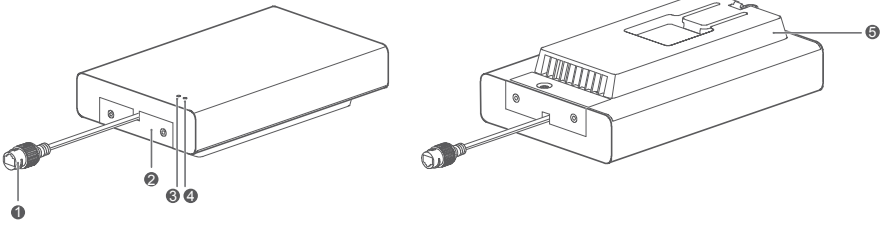
A Cat-5e network cable*



A Phillips screwdriver

* If there is not a 10-meter flat network cable in the package, you can purchase a round or flat network cable that is no longer than 30 meters, and use it with the standard waterproof rubber plugs of the appropriate shape for outdoor installation, to ensure an optimal waterproof performance.

Appearance

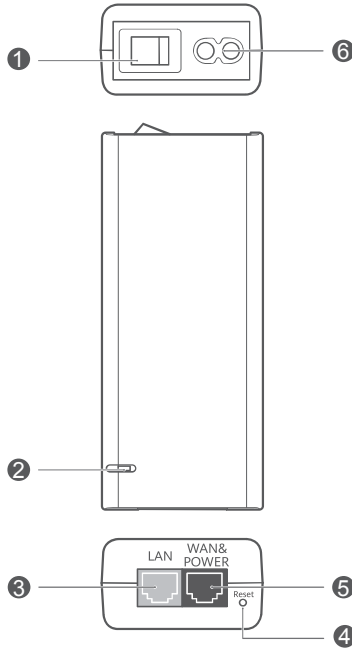


| | |
|----------------------------------|-----------------------|
| 1 Network cable socket connector | 2 SIM card cover |
| 3 5G signal indicator | 4 4G signal indicator |
| 5 Mounting bracket | |

Indicator

| Color | | Status | Remarks |
|--------|----|-----------|--|
| 5G | 4G | | |
| Green | | Steady on | Signal strength: Strong |
| Yellow | | Steady on | Signal strength: Medium |
| Red | | Steady on | Signal strength: Weak |
| | | Blinking | Failed to recognize the SIM card/Network unavailable |

Power Adapter



| | | |
|----------------|-------------------|--------------|
| 1 Power button | 2 Power indicator | 3 LAN port |
| 4 Reset button | 5 WAN&POWER port | 6 Power port |

i Avoid connecting the WAN&POWER port (the blue one) to any other devices, as this may cause damage to the devices.

Outdoor Installation Instructions

To install and configure the CPE, perform the following:

| Step | Operation |
|------|--|
| 1 | Insert the SIM Card and Lock the SIM Card Cover |
| 2 | Insert the Network Cable and Secure the Waterproof Kit in Place |
| 3 | Connect and Power On the Power Adapter |
| 4 | Select an Installation Location Where the Signal is Strong |
| 5 | Install the CPE Outdoors |
| 6 | Route the Network Cable Through a Window or Wall |
| 7 | Connect to an Indoor Router |
| 8 | Connect the Device to the Indoor Router via Wi-Fi or Using the Network Cable |

1 Insert the SIM Card and Lock the SIM Card Cover



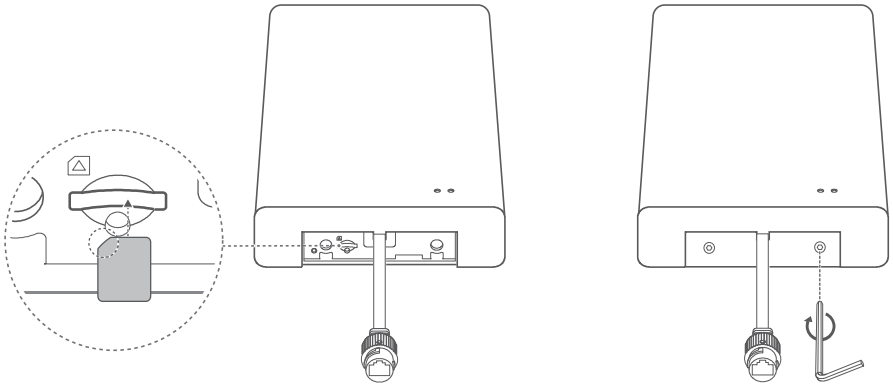
mini-SIM (2FF)



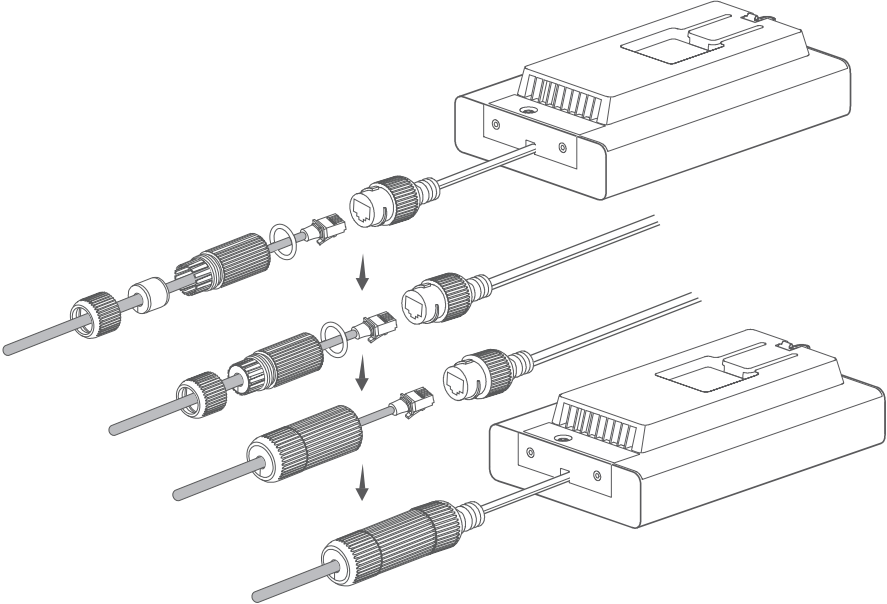
micro-SIM (3FF)



nano-SIM (4FF)

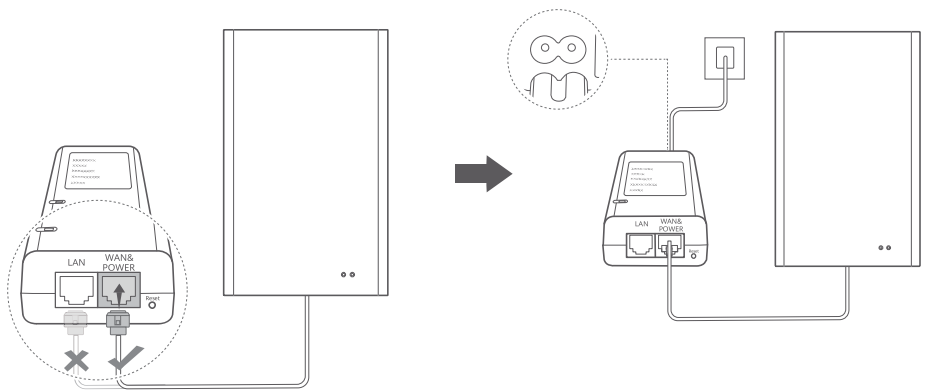


2 Insert the Network Cable and Secure the Waterproof Kit in Place

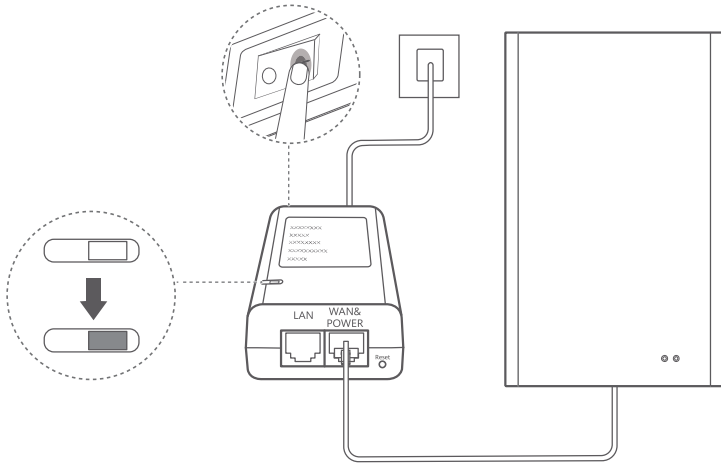


3 Connect and Power On the Power Adapter

Connect the power adapter to the CPE, and then connect the power adapter to the power supply.



Power on the power adapter.

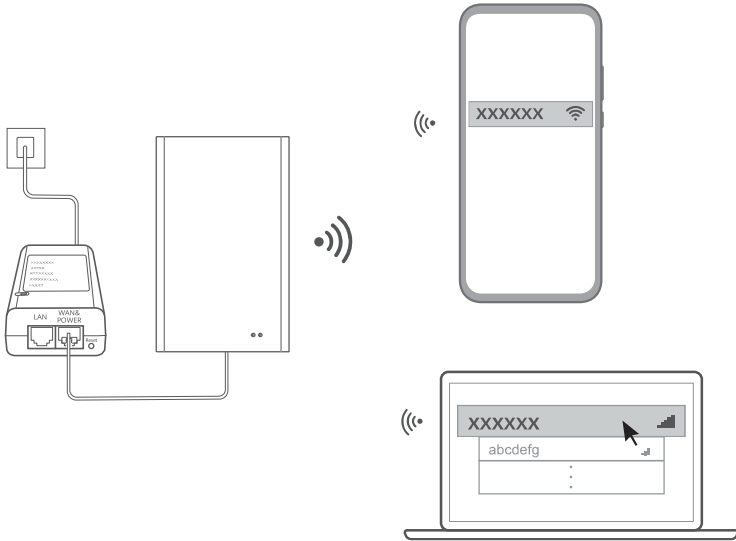


The CPE will automatically power on and search for available wireless networks. If the indicator is steady on, the CPE has successfully connected to the network.

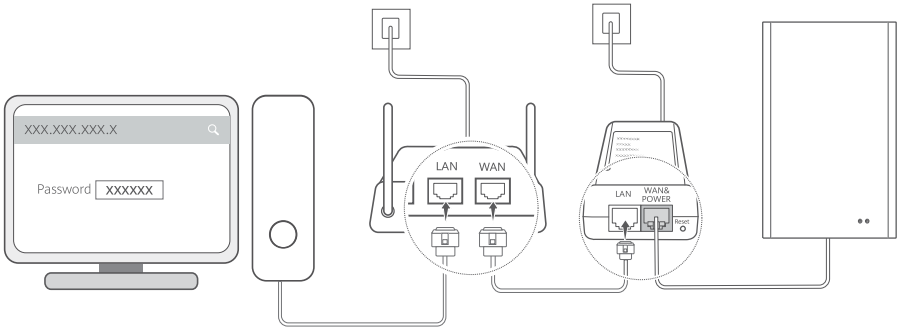
| | | | |
|------------------------|-----------|------------------|--|
| 5G/4G signal indicator | Steady on | Green/Yellow/Red | Signal strength: Strong/Medium/Weak |
|------------------------|-----------|------------------|--|

4 Select an Installation Location Where the Signal is Strong

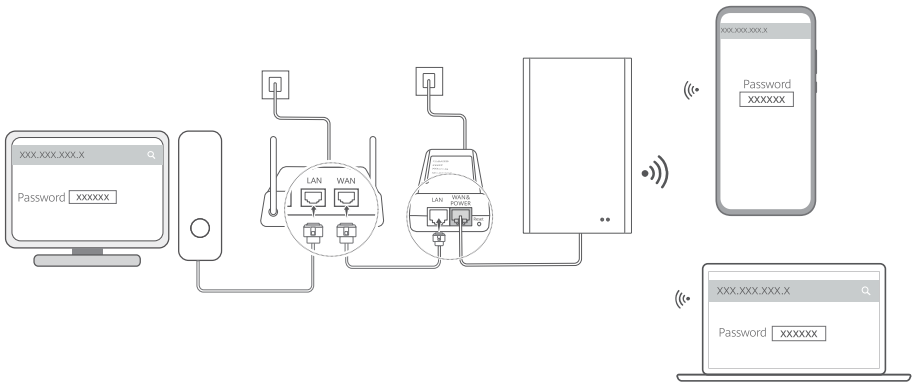
4.1 Connect the mobile phone or laptop to the CPE via Wi-Fi.



A desktop computer must be connected to the CPE network via an indoor router. Connect the indoor router to the power adapter and desktop computer.



4.2 Open a browser on your mobile phone or computer, and log in to the CPE management page. (For the default IP address and password, see the CPE nameplate.)

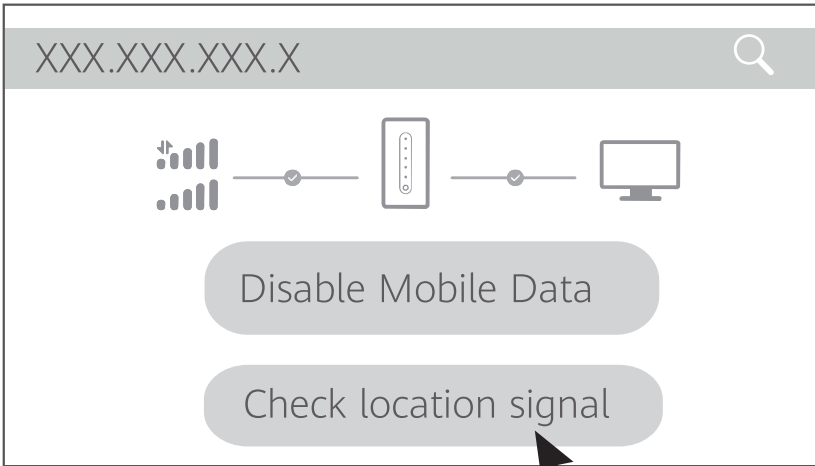


4.3 Change the default Wi-Fi name, password, and login password as prompted.

i Once the Wi-Fi name or password is changed, you need to reconnect your mobile phone or computer to the CPE to use Wi-Fi.

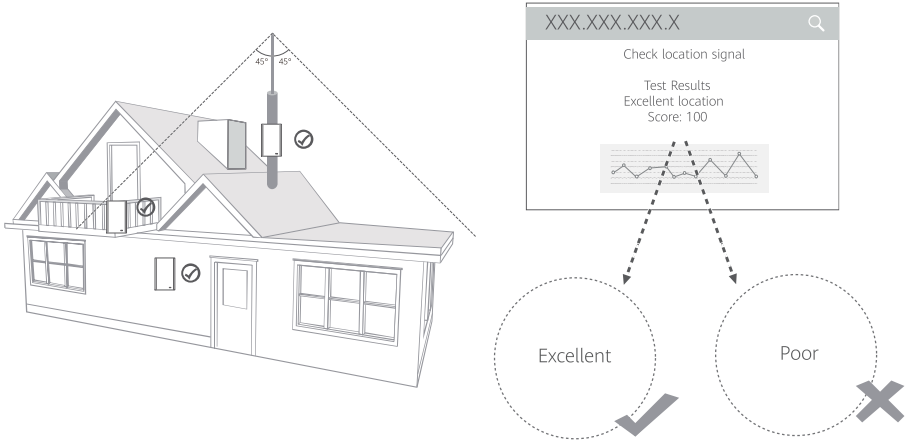
4.4 Use the new password to log in to the management page.

4.5 On the management home page, click **Check location signal**.



4.6 Measure the signal strength at the recommended installation location as prompted, and find the position with the strongest signal strength.

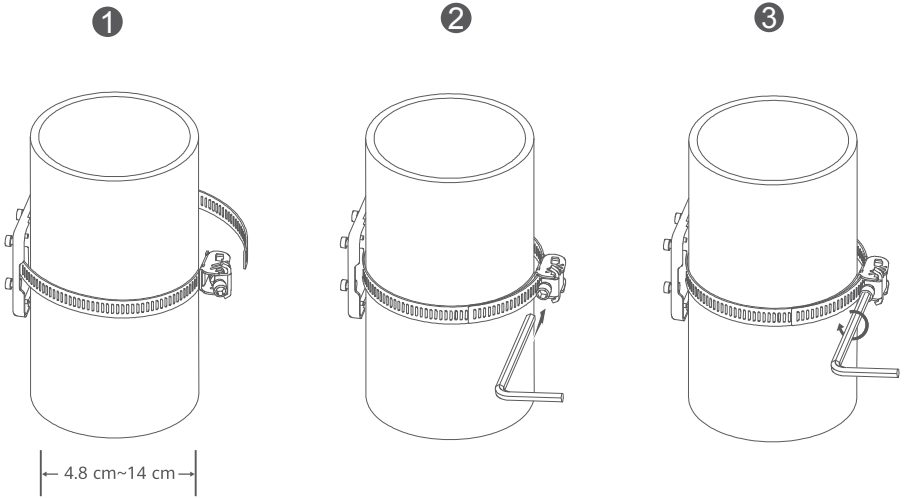
i The CPE can be mounted to a pole or wall, and must be within a 45-degree shielding angle of the lightning rod.

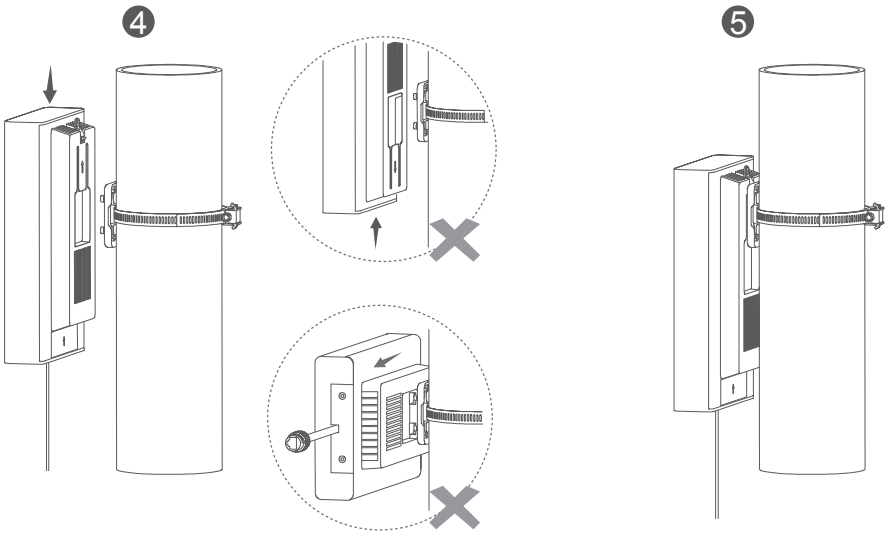


5 Install the CPE Outdoors

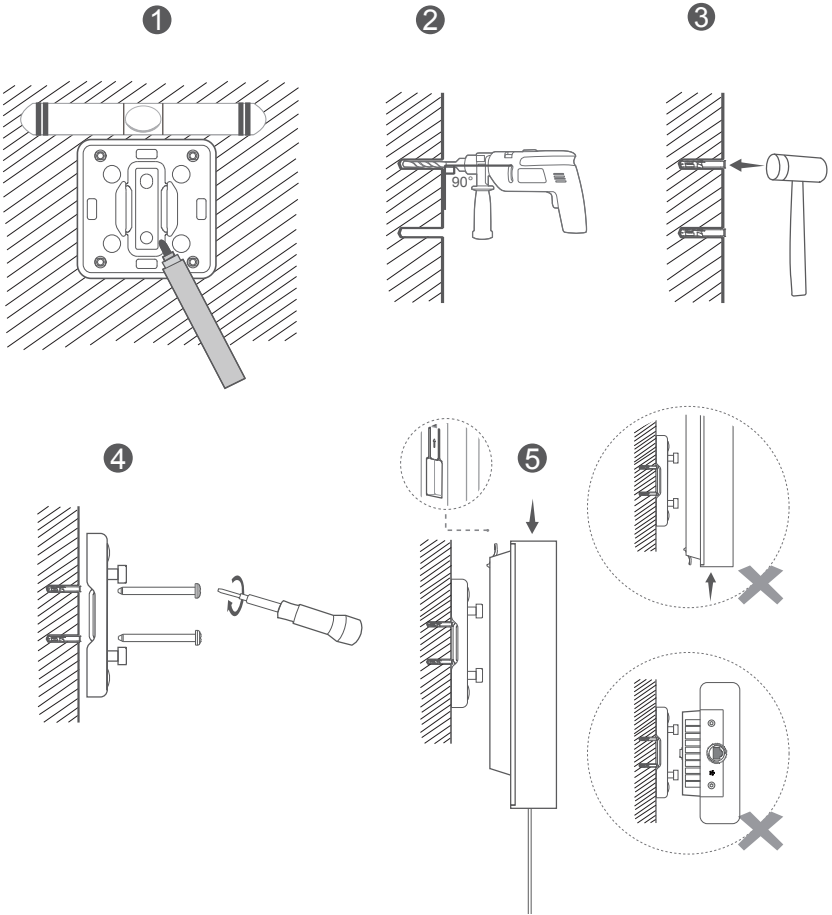
The CPE can be installed on a pole, or on a wall. Choose an appropriate installation position.

Method 1: Pole-mounted installation

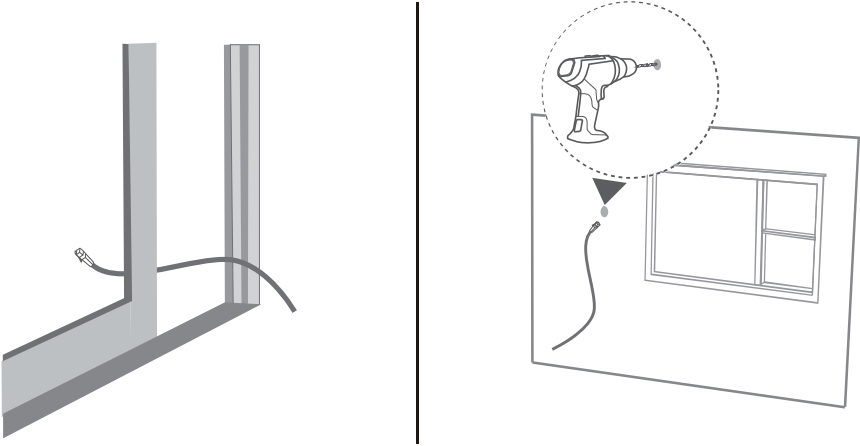




Method 2: Wall-mounted installation

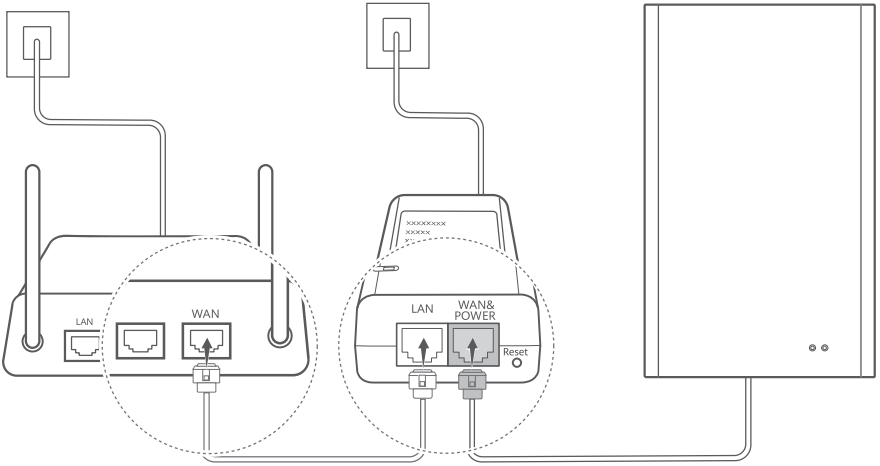


6 Route the Network Cable Through a Window or Wall



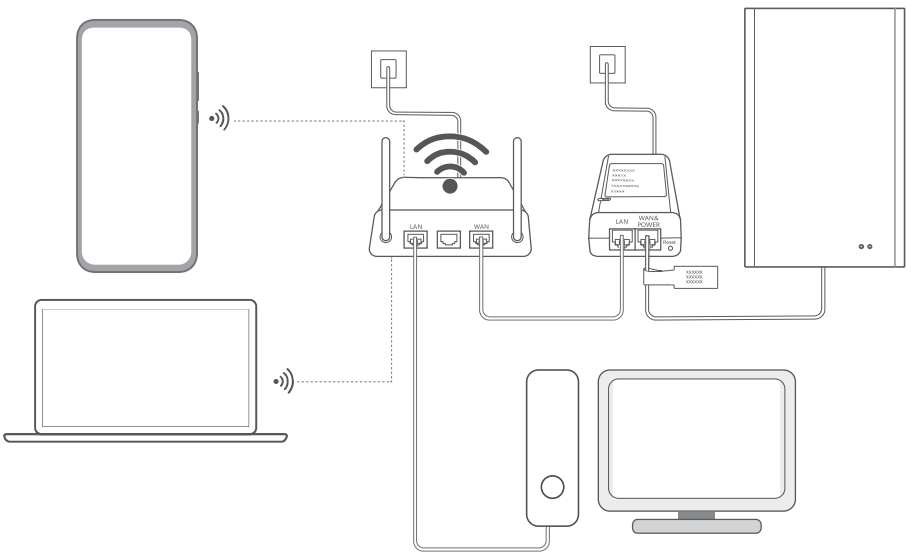
- i** If you choose to route the network cable through a window, ensure that the window frame is protected by a soft rubber strip. Close the window gently to prevent damage to the network cable.

7 Connect to an Indoor Router



8 Connect the Device to the Indoor Router via Wi-Fi or Using the Network Cable

i It is recommended that you attach the information label to the network cable connected to the WAN&POWER port of the power adapter.



FAQs

1. Unable to find the CPE's Wi-Fi

- The CPE's Wi-Fi will automatically be disabled after 2 hours if no device is connected. Either reactivate Wi-Fi on the management page or restart the CPE.
- Your device may be too far away from the CPE. Move closer to the CPE and try connecting to Wi-Fi again.

2. The CPE's Wi-Fi is slow to access the Internet

The CPE's Wi-Fi is used for CPE configuration only. For daily Internet access, connect to the indoor router's Wi-Fi network instead.

3. Restoring the CPE to its factory settings

Connect the CPE to the power adapter and power on the power adapter. Wait until the CPE indicator is steady on. Then, insert a needle-shaped object into the reset button on the power adapter, and press and hold for more than 5 seconds, until the CPE indicator starts blinking. When the CPE is restored to its factory settings, its configuration parameters get cleared. You will need to reconfigure the CPE.

4. When the CPE is powered on, the indicator does not turn on, and the CPE cannot be used

When the surrounding temperature is below -26°C , the CPE takes some time to preheat so that it can work properly. When the surrounding temperature is -40°C , the preheating process takes about 10 minutes. Therefore, in a cold environment, please wait patiently, and check back a little later to see whether the CPE works properly.

Safety information

This section contains important information about the operation of your device. It also contains information about how to use the device safely. Read this information carefully before using your device.

Electronic device

Do not use your device if using the device is prohibited. Do not use the device if doing so causes danger or interference with other electronic devices.

Interference with medical equipment

- Follow rules and regulations set forth by hospitals and health care facilities. Do not use your device where prohibited.
- Some wireless devices may affect the performance of hearing aids or pacemakers. Consult your service provider for more information.
- Pacemaker manufacturers recommend that a minimum distance of 15 cm be maintained between a device and a pacemaker to prevent potential interference with the pacemaker.

Areas with flammables and explosives

- Do not use the device where flammables or explosives are stored (in a gas station, oil depot, or chemical plant, for example). Using your device in these environments increases the risk of explosion or fire. In addition, follow the instructions indicated in text or symbols.
- Do not store or transport the device in containers with flammable liquids, gases, or explosives.

Operating environment

- Avoid dusty, damp, or dirty environments. Avoid magnetic fields. Using the device in these environments may result in circuit malfunctions.
- Before connecting and disconnecting cables, stop using the device and disconnect it from the power supply. Ensure that your hands are dry during operation.
- Keep the device away from electronic appliances that generate strong magnetic or electric fields, such as a microwave oven or refrigerator.
- Ideal operating temperature range is $-40\text{ }^{\circ}\text{C}$ to $+55\text{ }^{\circ}\text{C}$ without solar radiation or $-40\text{ }^{\circ}\text{C}$ to $+50\text{ }^{\circ}\text{C}$ under solar radiation. Ideal storage temperatures are $-40\text{ }^{\circ}\text{C}$ to $+70\text{ }^{\circ}\text{C}$. Extreme heat or cold may damage your device or accessories. When the device is operating in a $-40\text{ }^{\circ}\text{C}$ to $0\text{ }^{\circ}\text{C}$ environment, New Radio carrier aggregation (NR CA) will be disabled in some scenarios.
- Keep the device and accessories in a well-ventilated and cool area away from direct sunlight. Do not enclose or cover your device with towels or other objects. Do not place the device in a container with poor heat dissipation, such as a box or bag.
- Keep the device away from sources of heat and fire, such as a heater, microwave oven, stove,

water heater, radiator, or candle.

- Do not place any object, such as a candle or a water container, on the device. If any foreign object or liquid enters the device, immediately stop using it, power it off, and remove all cables connected to it. Then, contact an authorized service center.
- Do not block device openings. Reserve a minimum of 10 cm around the device to dissipate heat.
- Stop using your device or applications for a while if the device is overheated. If skin is exposed to an overheated device for an extended period, low temperature burn symptoms, such as red spots and darker pigmentation, may occur.
- Do not touch the device's antenna. Otherwise, communication quality may be reduced.
- Do not allow children or pets to bite or suck the device or accessories. Doing so may result in damage or explosion.
- The device should be installed and operated with a minimum distance of 50 cm between the radiator and your body.
- Keep the device in a place with good reception. The distance between the device and other metal materials (such as metal brackets or metal doors and windows) should be greater than 25 cm and the distance between the devices should be greater than 30 cm.

Child safety

- Comply with all precautions with regard to child safety. Letting children play with the device or its accessories may be dangerous. The device includes detachable parts that may present a choking hazard. Keep away from children.
- The device and its accessories are not intended for use by children. Children should only use the device with adult supervision.

Accessories

- Using an unapproved or incompatible power adapter, charger or battery may cause fire, explosion or other hazards.
- Choose only accessories approved for use with this model by the device manufacturer. The use of any other types of accessories may void the warranty, may violate local regulations and laws, and may be dangerous. Please contact your retailer for information about the availability of approved accessories in your area.

Power adapter safety

- For pluggable devices, the socket-outlet shall be installed near the devices and shall be easily accessible.
- The power plug is intended to serve as a disconnect device.
- Unplug the power adapter from electrical outlets and the device when not in use.
- Do not drop or cause an impact to the power adapter. If it is damaged, take it to an authorized service center for inspection.

- If the power cable is damaged (for example, the cord is exposed or broken), or the plug loosens, stop using it at once. Continued use may lead to electric shocks, short circuits, or fire.
- Do not touch the power cord with wet hands or pull the power cord to disconnect the power adapter.
- Do not touch the device or the power adapter with wet hands. Doing so may lead to short circuits, malfunctions, or electric shocks.
- If your power adapter has been exposed to water, other liquids, or excessive moisture, take it to an authorized service center for inspection.
- Ensure that the power adapter meets the requirements of IEC/EN 62368-1 and has been tested and approved according to national or local standards.

Cleaning and maintenance

- During storage, transportation, and operation of the device, keep it dry and protect it from collision.
- Keep the device and accessories dry. Do not attempt to dry it with an external heat source, such as a microwave oven or hair dryer.
- Do not expose your device or accessories to extreme heat or cold. These environments may interfere with proper function and may lead to fire or explosion.
- Avoid collision, which may lead to device malfunctions, overheating, fire, or explosion.
- If the device is not going to be used for an extended period of time, power it off, and remove all cables connected to it.
- If anything unusual occurs (for example, if the device emits smoke or any unusual sound or smell), immediately stop using it, power it off, remove all cables connected to it, and contact an authorized service center.
- Do not trample, pull, or excessively bend any cable. Doing so may damage the cable, causing the device to malfunction.
- Before you clean or maintain the device, stop using it, stop all applications, and disconnect all cables connected to it.
- Do not use any chemical detergent, powder, or other chemical agents (such as alcohol and benzene) to clean the device or accessories. These substances may cause damage to parts or present a fire hazard. Use a clean, soft, and dry cloth to clean the device and accessories.
- Do not place magnetic stripe cards, such as credit cards and phone cards, near the device for extended periods of time. Otherwise the magnetic stripe cards may be damaged.
- Do not dismantle or remanufacture the device and its accessories. This voids the warranty and releases the manufacturer from liability for damage. In case of damage, contact an authorized service center for assistance or repair.

Disposal and recycling information



The symbol on the product, battery, literature, or packaging means that the products and batteries should be taken to separate waste collection points designated by local authorities at the end of the lifespan. This will ensure that EEE waste is recycled and treated in a manner that conserves valuable materials and protects human health and the environment.

For more information, please contact your local authorities, retailer, or household waste disposal service or visit the website <https://www.brovi-tech.com>.

Reduction of hazardous substances

This device and any electrical accessories are compliant with local applicable rules on the restriction of the use of certain hazardous substances in electrical and electronic equipment, such as EU REACH, RoHS and Batteries (where included) regulations, etc. For declarations of conformity about REACH and RoHS, please visit our web site <https://www.brovi-tech.com>.

EU regulatory conformance

Statement

Hereby, ZOWEE TECHNOLOGY (HEYUAN) CO., LTD. declares that this device H352-381 is in compliance with the essential requirements and other relevant provisions of Directive 2014/53/EU. The most recent and valid version of the DoC (Declaration of Conformity) can be viewed at <https://www.brovi-tech.com>.

This device may be operated in all member states of the EU.

Observe national and local regulations where the device is used.

This device may be restricted for use, depending on the local network.

ErP Product Information

ZOWEE TECHNOLOGY (HEYUAN) CO., LTD. hereby declares that its products conform to the Energy-related Products Directive (ErP) 2009/125/EC. For detailed ErP information and the user manuals required by Commission Regulation, please visit: <https://www.brovi-tech.com>.

Frequency Bands and Power

(a) Frequency bands in which the radio equipment operates: Some bands may not be available in all countries or all areas. Please contact the local carrier for more details.

(b) Maximum radio-frequency power transmitted in the frequency bands in which the radio equipment operates: The maximum power for all bands is less than the highest limit value specified in the related Harmonized Standard.

The frequency bands and transmitting power (radiated and/or conducted) nominal limits applicable

to this radio equipment are as follows: LTE Band 1/3/7/8/20/28/34/38/40: 25.7 dBm, LTE Band 42/43: 26 dBm, 5G NR SA Band n3/n8/n20/n28/n38/n80/n81/n82/n83/n84: 25.7 dBm, 5G NR SA Band n1/n7: 26 dBm, 5G NR SA Band n40/n41/n77/n78: 29 dBm, 5G NR NSA Band n3/n8/n20/n28/n38: 25.7 dBm, 5G NR NSA Band n1/n7/n40/n77: 26 dBm, 5G NR NSA Band n41/n78: 29 dBm, Wi-Fi 2.4GHz: 20 dBm.

Accessories and Software Information

Some accessories are optional in certain countries or regions. Optional accessories can be purchased from a licensed vendor as required. The following accessories are recommended:

Adapters: S190126D1D

The product software version is 2.1.0.1(H1220SP1C00). Software updates will be released by the manufacturer to fix bugs or enhance functions after the product has been released. All software versions released by the manufacturer have been verified and are still compliant with the related rules.

All RF parameters (for example, frequency range and output power) are not accessible to the user, and cannot be changed by the user.

For the most recent information about accessories and software, please see the DoC (Declaration of Conformity) at <https://www.brovi-tech.com>.

Legal Notice

The product described in this manual may include copyrighted software of licensors. Customers shall not in any manner reproduce, distribute, modify, decompile, disassemble, decrypt, extract, reverse engineer, lease, assign, or sublicense the said software, unless such restrictions are prohibited by applicable laws or such actions are approved by respective copyright holders.

Trademarks and Permissions

LTE is a trademark of ETSI.

Wi-Fi[®], the Wi-Fi CERTIFIED logo, and the Wi-Fi logo are trademarks of Wi-Fi Alliance.

Other trademarks, product, service and company names mentioned may be the property of their respective owners.

Notice

Some features of the product and its accessories described herein rely on the software installed, capacities and settings of local network, and therefore may not be activated or may be limited by local network operators or network service providers.

Thus, the descriptions herein may not exactly match the product or its accessories which you purchase.

We reserves the right to change or modify any information or specifications contained in this manual without prior notice and without any liability.

DISCLAIMER

ALL CONTENTS OF THIS MANUAL ARE PROVIDED "AS IS". EXCEPT AS REQUIRED BY APPLICABLE LAWS, NO WARRANTIES OF ANY KIND, EITHER EXPRESS OR IMPLIED, INCLUDING BUT NOT LIMITED TO, THE IMPLIED WARRANTIES OF MERCHANTABILITY AND FITNESS FOR A PARTICULAR PURPOSE, ARE MADE IN RELATION TO THE ACCURACY, RELIABILITY OR CONTENTS OF THIS MANUAL.

TO THE MAXIMUM EXTENT PERMITTED BY APPLICABLE LAW, IN NO EVENT SHALL ZOWEE BE LIABLE FOR ANY SPECIAL, INCIDENTAL, INDIRECT, OR CONSEQUENTIAL DAMAGES, OR LOSS OF PROFITS, BUSINESS, REVENUE, DATA, GOODWILL SAVINGS OR ANTICIPATED SAVINGS REGARDLESS OF WHETHER SUCH LOSSES ARE FORSEEABLE OR NOT.

THE MAXIMUM LIABILITY (THIS LIMITATION SHALL NOT APPLY TO LIABILITY FOR PERSONAL INJURY TO THE EXTENT APPLICABLE LAW PROHIBITS SUCH A LIMITATION) OF ZOWEE ARISING FROM THE USE OF THE PRODUCT DESCRIBED IN THIS MANUAL SHALL BE LIMITED TO THE AMOUNT PAID BY CUSTOMERS FOR THE PURCHASE OF THIS PRODUCT.

Import and Export Regulations

Customers shall comply with all applicable export or import laws and regulations and be responsible to obtain all necessary governmental permits and licenses in order to export, re-export or import the product mentioned in this manual including the software and technical data therein.

Privacy Policy

To learn how we use and protect your personal information on this device, please access the web-based management page, and read the Privacy Statement for Mobile Broadband Devices to learn about our privacy policy.

Software Update

By continuing to use this device, you indicate that you have read and agree to the following content: In order to provide better service, this device will automatically obtain software update information from ZOWEE or your carrier after connecting to the Internet. This process will use mobile data, and require access to your device's unique identifier (SN) and the service provider network ID (PLMN) to check whether your device needs to be updated.

This device supports the automatic update feature. Once enabled, the device will automatically download and install critical updates from ZOWEE or your carrier. This feature is enabled by default, and can be configured from the settings menu on the web-based management page.